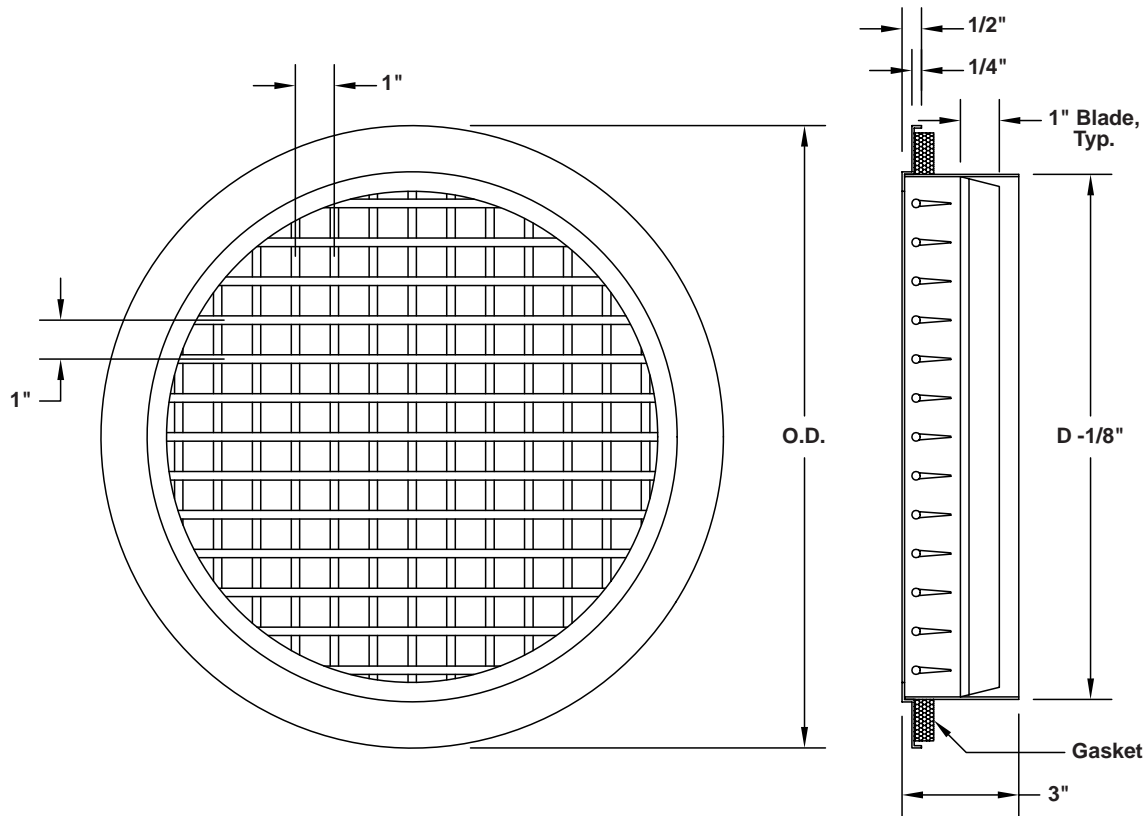




# ALUMINUM ROUND DOUBLE DEFLECTION GRILLE WITH 1" BLADE SPACING



**Available Standard Finishes:**

- White Powder Coat
- Gloss Black Powder Coat
- Flat Black Powder Coat
- Silver Metallic Powder Coat
- Primer
- Mill Aluminum
- "Anodized" Powder Coat

**Material:**

- Heavy Gauge Aluminum Construction
- 1" Extruded Airfoil Blades with 1" Spacing
- Foam Gasket

**Mounting:**

- Concealed Mounting Tabs

**Options:**

- Round Damper (Steel) Shipped Loose for Duct Mounting
- Screws and Screw Holes for Surface Mounting

Qty.	Model	Size - D	O.D.	Finish	Options	Tag
	ARDD-06	6	8.25			
	ARDD-08	8	10.25			
	ARDD-10	10	12.25			
	ARDD-12	12	14.25			
	ARDD-14	14	16.25			
	ARDD-16	16	18.25			
	ARDD-18	18	20.25			
	ARDD-20	20	22.25			
	ARDD-22	22	24.25			
	ARDD-24	24	26.25			

To maintain KEES' policy of continuous product improvement, we reserve the right to change prices, specifications, ratings or dimensions without notice or obligation.

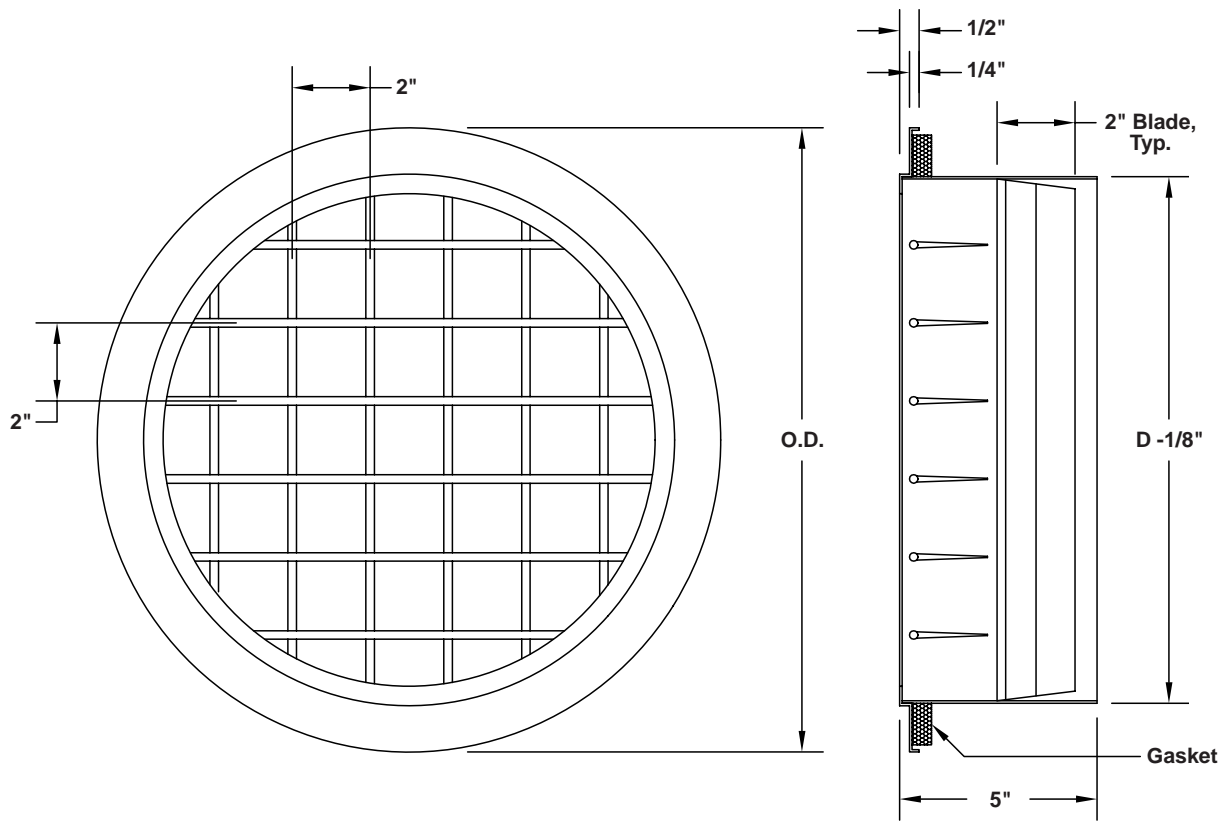
<b>Project</b>		<b>Location</b>	
<b>Engineer</b>		<b>Dwg. No. SD-ARDD</b>	
<b>Architect</b>		<b>Date 12/11</b>	
<b>Contractor</b>			



**KEES INCORPORATED**  
 400 S. Industrial Dr.  
 Elkhart Lake, WI 53020  
 Phone: (920) 876-3391  
 Fax: (920) 876-3065  
 Website: www.kees.com



# ALUMINUM ROUND DOUBLE DEFLECTION GRILLE WITH 2" BLADE SPACING



**Available Standard Finishes:**

- White Powder Coat
- Gloss Black Powder Coat
- Flat Black Powder Coat
- Silver Metallic Powder Coat
- Primer
- Mill Aluminum
- "Anodized" Powder Coat

**Material:**

- Heavy Gauge Aluminum Construction
- 2" Extruded Airfoil Blades with 2" Spacing
- Foam Gasket

**Mounting:**

- Concealed Mounting Tabs

**Options:**

- Round Damper (Steel) Shipped Loose for Duct Mounting
- Screws and Screw Holes for Surface Mounting

Qty.	Model	Size - D	O.D.	Finish	Options	Tag
	ARDD2-08	8	10.25			
	ARDD2-10	10	12.25			
	ARDD2-12	12	14.25			
	ARDD2-14	14	16.25			
	ARDD2-16	16	18.25			
	ARDD2-18	18	20.25			
	ARDD2-20	20	22.25			
	ARDD2-22	22	24.25			
	ARDD2-24	24	26.25			

To maintain KEES' policy of continuous product improvement, we reserve the right to change prices, specifications, ratings or dimensions without notice or obligation.

<b>Project</b>		<b>Location</b>	
<b>Engineer</b>			
<b>Architect</b>		<b>Dwg. No.</b>	<b>SD-ARDD2</b>
<b>Contractor</b>		<b>Date</b>	<b>12/11</b>



**KEES INCORPORATED**  
 400 S. Industrial Dr.  
 Elkhart Lake, WI 53020  
 Phone: (920) 876-3391  
 Fax: (920) 876-3065  
 Website: www.kees.com