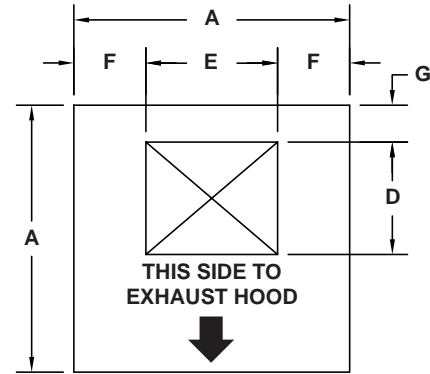
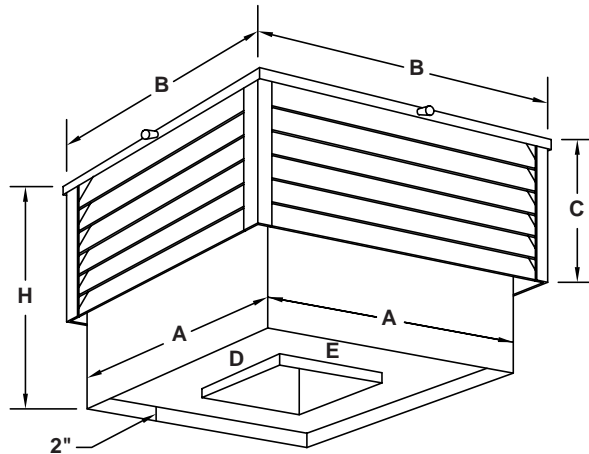


MODEL EKS — Louvered Roof Supply Unit Filtered



Model Number	Unit Dimensions (Inches)								Filters - 1 In.	Roof Curb O.D.	Wheels			Wgt.
	A	B	C	D	E	F	G	H			Dia.	Width	Outlet Area	
EKS-10	26	34	20	11.50	13.00	6.50	5.00	28.50	(4) 16 x 20	25 x 25	10-5/8	10-5/8	1.015	150
EKS-12	32	40	24	13.50	16.00	8.00	5.25	32.50	(4) 20 x 25	31 x 31	12-5/8	12-5/8	1.440	220
EKS-15	32	40	24	16.00	19.00	6.50	5.25	32.50	(4) 20 x 25	31 x 31	15	15	2.010	220
EKS-18	36	44	26	19.00	22.00	7.00	5.25	38.25	(4) 20 x 28	35 x 35	18-1/8	18	2.870	310
EKS-20	46	54	28	24.75	22.75	11.625	6.00	48.00	(8) 25 x 20	45 x 45	20	18	3.880	540

						Motor Information						
Qty.	Model	CFM	SP	BHP	RPM	HP	Volts	Phase	Enclosure	Tag		

Standard unit includes 4 inch deep extruded aluminum mill finish louver Model L storm proof blade on 4 sides, removable aluminum insulated cover for access to filters, blower and motor. Motor is open drip NEMA frame ball bearing with adjustable V-drive mounted on rubber isolation; double width forward curved blower, and 1 inch washable aluminum mesh filters, (other type filters available), all in an 18 gauge galvanized steel housing. Optional louver finishes include 204R1 anodize, 312E Duranodic, or painted finish.

Options

- Louver Finish: Mill , 204R1 , 312E , or Painted (Paint Color _____)
- Aluminum Housing Hinged Cover Locking Hasp Disconnect Switch
- Motorized Damper Size _____ Voltage _____ (Damper and actuator are shipped loose for field mounting.)
- Alternate Filters: _____
- Other Modifications: _____

To maintain KEES' policy of continuous product development, we reserve the right to change prices, specifications, ratings and dimensions without notice or obligation.

Project		Location	
Engineer		Dwg. No.	SD-EKS
Architect		Date	04/08
Contractor			



KEES INCORPORATED
 400 S. Industrial Dr.
 Elkhart Lake, WI 53020
 Phone: (920) 876-3391
 Fax: (920) 876-3065
 Website: www.kees.com