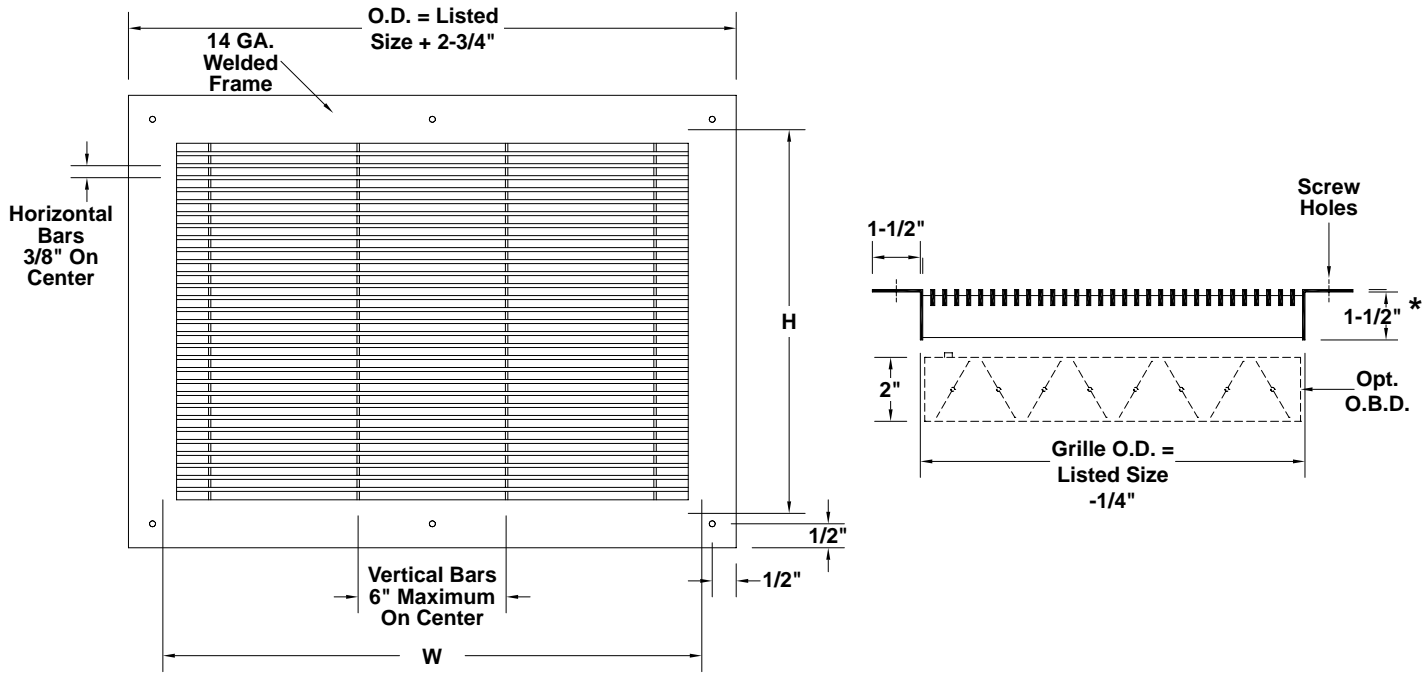


FHD0 - FLOOR GRILLES



STANDARD FEATURES:

- 0° blade deflection is standard, specify Model FHD0.
- All welded, heavy steel construction. 14 ga. steel sleeve and face plate. Other gauges available.
- 1/8" x 1/2" horizontal blades, 3/8" centers supported by 14 gauge vertical bars on 6" centers. Other blade / support bar spacing available.
- Countersunk screw holes, maximum 10" centers and flat head screws are standard for surface mounting.

STANDARD FINISH:

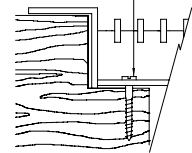
- Steel - white 2-component polyurethane finish.
- Aluminum - mill finish or white
- Stainless steel - 304 or 316 satin finish

* 4" sleeve length with optional O.B.D.
 * 1-1/2" minimum sleeve length; grilles over 14" high may have extended sleeve as required.

OPTIONS:


- Aluminum construction (.125")
- Stainless steel construction (12 ga.)
- Extended sleeve
- Opposed blade damper
- No screw holes
- Concealed mounting, Option G
- Two-part polyurethane white finish (stainless steel)
- Other paint finishes
- Mill finish (industrial grade) blades (stainless steel only)
- Clear or bronze anodized (aluminum only)
- Security screws

Mounting Option G
Fastening Lugs



Qty.	Listed Size		Material	Finish	Damper	Screw Holes	Debris Screen	Other Options	Tag
	W	H							

To maintain KEES' policy of continuous product development, we reserve the right to change prices, specifications, ratings and dimensions without notice or obligation.

Project				Location					
Engineer				Dwg. No.	SD-FHD		KEES INCORPORATED 400 S. Industrial Dr. Elkhart Lake, WI 53020 Phone: (920) 876-3391 Fax: (920) 876-3065 Website: www.kees.com		
Architect				Date	09/14				
Contractor									