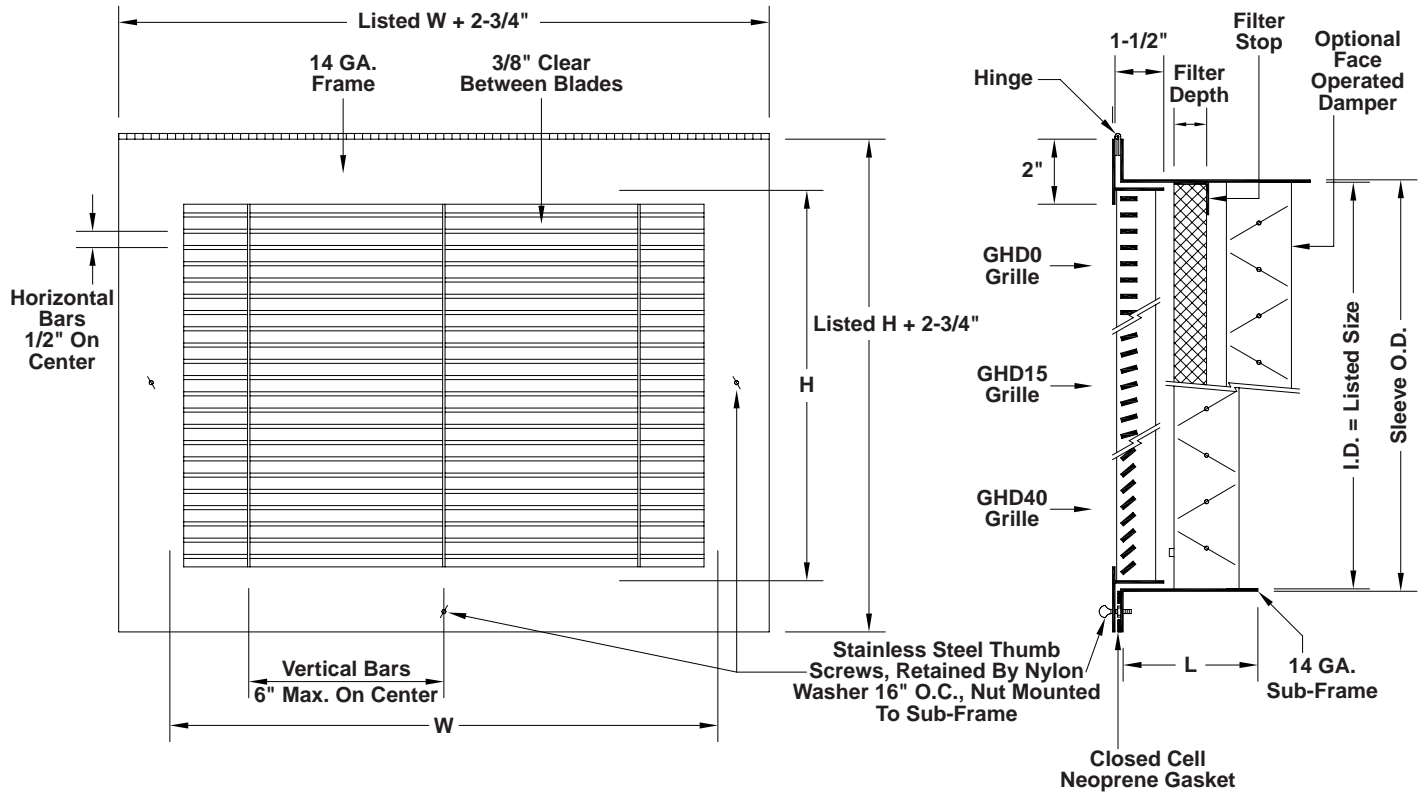


# GHD-HG HINGED HEAVY DUTY STEEL GRILLE & GHD-HFG HINGED HEAVY DUTY STEEL FILTER GRILLE



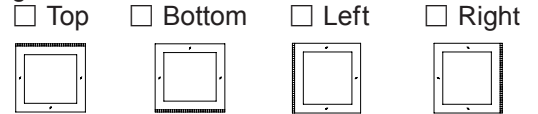
**CONSTRUCTION:**

- 14 gauge steel face plate and sleeve.
- 1/8" x 1/2" horizontal blades on 1/2 inch centers penetrating 14 gauge vertical support bars on 6 inch centers and welded to sleeve. Options: Blades at 0° (Designation GHD0), 15° (Designation GHD15) or 40° (Designation GHD40) deflection. Support bars on other centers.
- Sub-frame 14 gauge steel. Length varies with filter depth and options.
- Finish: 2 part polyurethane white.
- Filter by others. (GHD-HFG)

**STANDARD FINISHES:**

- STEEL- Two part polyurethane white.
- ALUMINUM - Mill finish or white.

**Hinge Location**



**OPTIONS:**

- Aluminum construction (.10")
- Extended sleeve
- Opposed blade damper
- Other paint finishes
- Filter clips (GHD-HFG)

**FILTER(S) BY KEES:**

- Washable Aluminum Mesh
- Throw Away

| Qty. | Listed Size |   | Deflection |     |     | Sleeve Length L | Filter Depth | Damper | Material | Finish | Other Options | Tag |
|------|-------------|---|------------|-----|-----|-----------------|--------------|--------|----------|--------|---------------|-----|
|      | W           | H | 0°         | 15° | 40° |                 |              |        |          |        |               |     |
|      |             |   |            |     |     |                 |              |        |          |        |               |     |
|      |             |   |            |     |     |                 |              |        |          |        |               |     |
|      |             |   |            |     |     |                 |              |        |          |        |               |     |
|      |             |   |            |     |     |                 |              |        |          |        |               |     |
|      |             |   |            |     |     |                 |              |        |          |        |               |     |

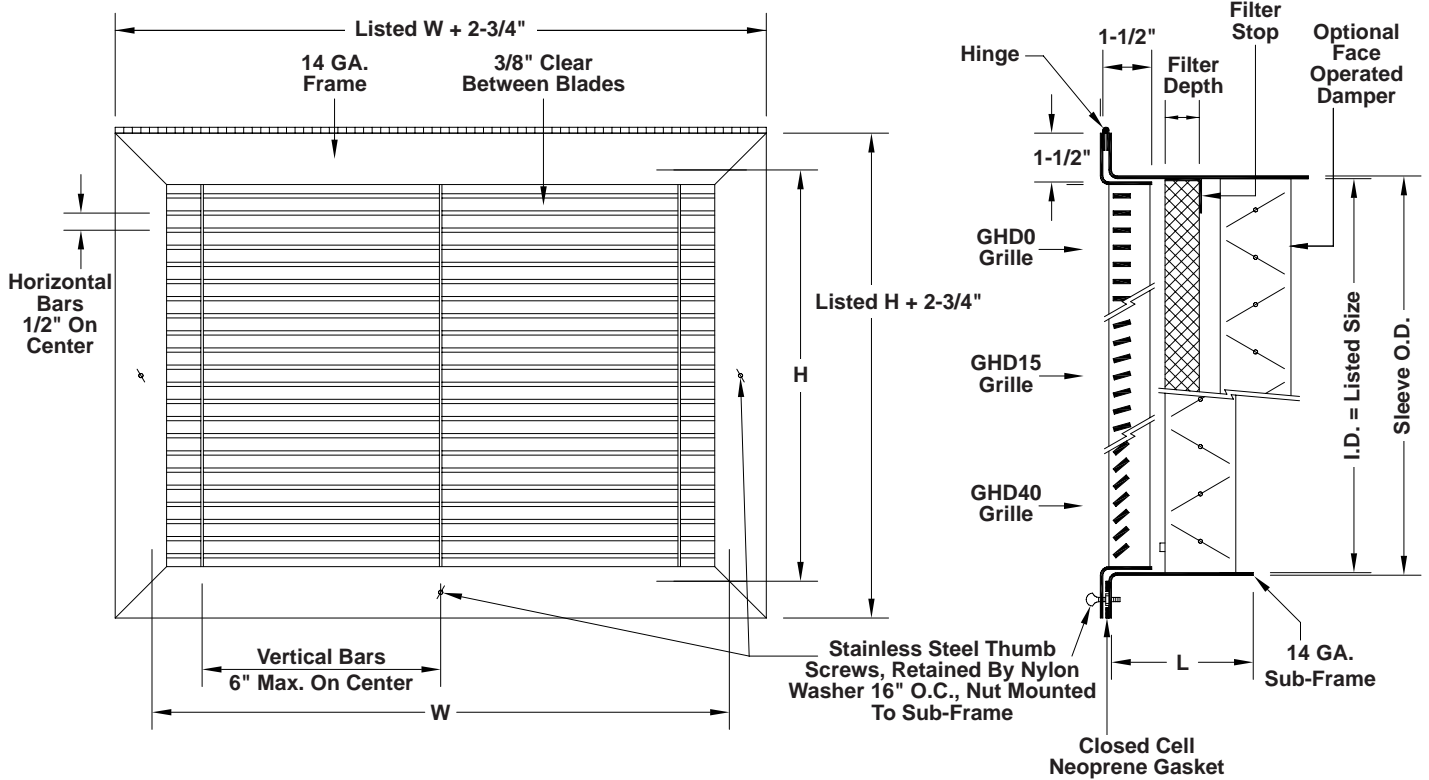
To maintain KEES' policy of continuous product development, we reserve the right to change prices, specifications, ratings and dimensions without notice or obligation.

|            |  |          |                 |
|------------|--|----------|-----------------|
| Project    |  | Location |                 |
| Engineer   |  |          |                 |
| Architect  |  | Dwg. No. | SD-GHD-HG & HFG |
| Contractor |  | Date     | 05/17           |



**KEES INCORPORATED**  
 400 S. Industrial Dr.  
 Elkhart Lake, WI 53020  
 Phone: (920) 876-3391  
 Fax: (920) 876-3065  
 Website: www.kees.com

# GHD-HG HINGED HEAVY DUTY S.S. GRILLE & GHD-HFG HINGED HEAVY DUTY S.S. FILTER GRILLE



### Hinge Location

Top     Bottom     Left     Right

### CONSTRUCTION:

- 14 gauge stainless steel face plate and sleeve.
- 1/8" x 1/2" horizontal blades on 1/2 inch centers penetrating 14 gauge vertical support bars on 6 inch centers and welded to sleeve. Options: Blades at 0° (Designation GHD0), 15° (Designation GHD15) or 40° (Designation GHD40) deflection. Support bars on other centers.
- Sub-frame 14 gauge stainless steel. Length varies with filter depth and options.
- Finish: Satin polish.
- Filter by others. (GHD-HFG)

### STANDARD MATERIAL:

- STAINLESS STEEL - T304.

### OPTIONS:

- Extended sleeve
- Opposed blade damper
- Two-part polyurethane white finish
- Other paint finishes
- Mill finish (industrial grade) blades (stainless steel only)
- Filter clips (GHD-HFG)
- T316 stainless steel

### FILTER(S) BY KEES:

- Washable Aluminum Mesh
- Throw Away

| Qty. | Listed Size |   | Deflection |     |     | Sleeve Length L | Filter Depth | Damper | Material | Finish | Other Options | Tag |
|------|-------------|---|------------|-----|-----|-----------------|--------------|--------|----------|--------|---------------|-----|
|      | W           | H | 0°         | 15° | 40° |                 |              |        |          |        |               |     |
|      |             |   |            |     |     |                 |              |        |          |        |               |     |
|      |             |   |            |     |     |                 |              |        |          |        |               |     |
|      |             |   |            |     |     |                 |              |        |          |        |               |     |
|      |             |   |            |     |     |                 |              |        |          |        |               |     |
|      |             |   |            |     |     |                 |              |        |          |        |               |     |

To maintain KEES' policy of continuous product development, we reserve the right to change prices, specifications, ratings and dimensions without notice or obligation.

|            |  |          |                 |
|------------|--|----------|-----------------|
| Project    |  | Location |                 |
| Engineer   |  |          |                 |
| Architect  |  | Dwg. No. | SD-GHD-HG & HFG |
| Contractor |  | Date     | 05/17           |



**KEES INCORPORATED**  
 400 S. Industrial Dr.  
 Elkhart Lake, WI 53020  
 Phone: (920) 876-3391  
 Fax: (920) 876-3065  
 Website: www.kees.com